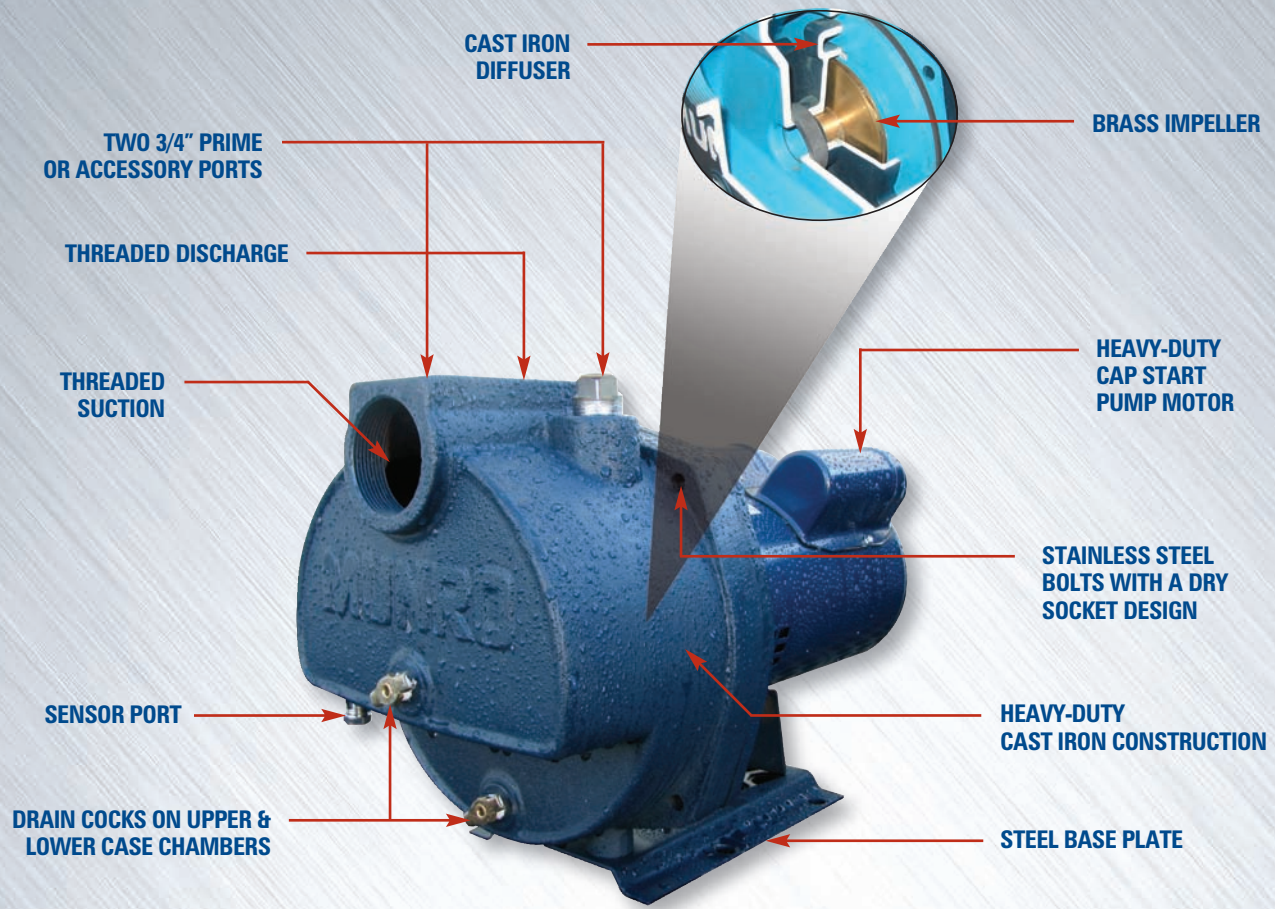
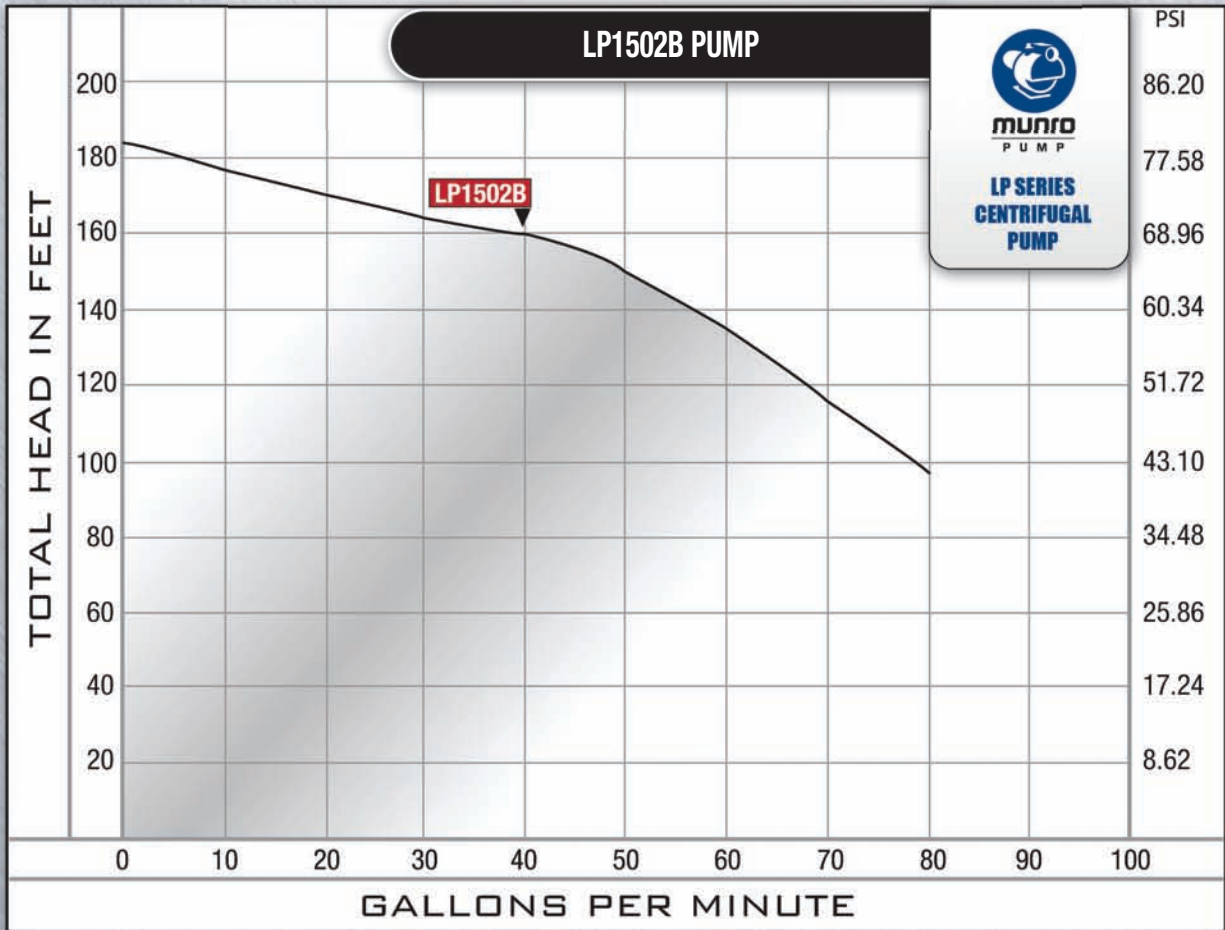


LP SERIES PUMP FEATURES



PUMP PERFORMANCE CURVES



HP	Phase	Voltage	Discharge	Suction	Approx Ship Weight / Lbs.	Part Number
2	1	230	1-1/2"	2"	120	LP1502B

HP	Hz	RPM	Motor Voltage (Factory) Connected	Service Factor Motor Amps						Maximum Liquid Temp	Maximum Suction Lift*
				Single Phase			Three Phase				
				115V	208V	230V	208V	230V	460V		
2	60	3450	230V	—	—	17.6	—	—	—	180°F	15 Ft.

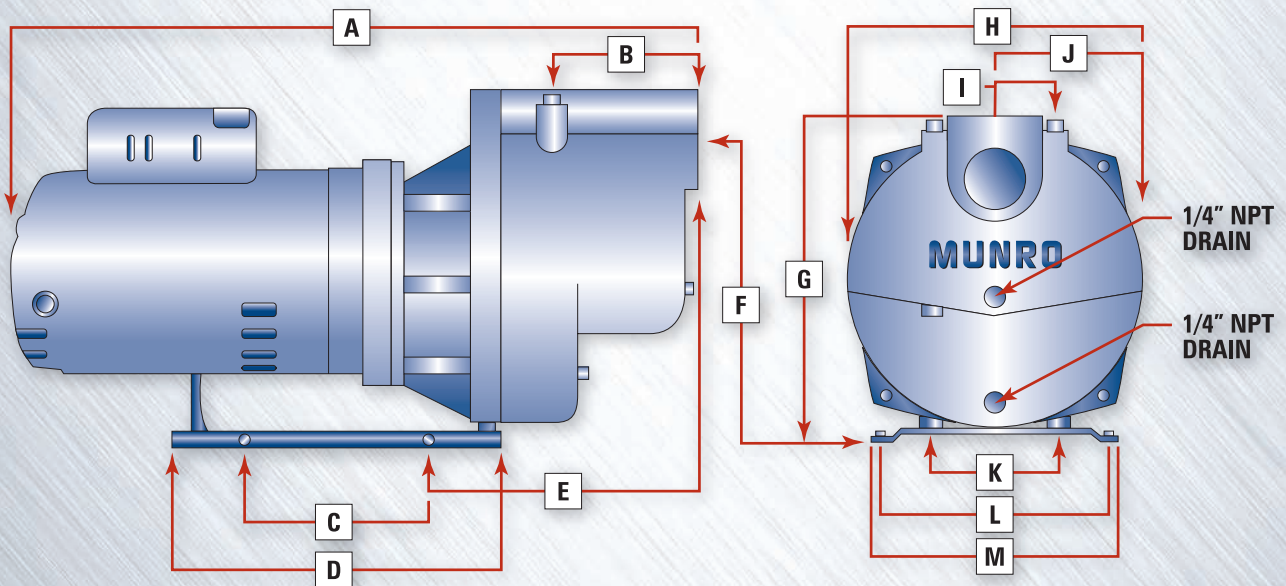
*Suction lift varies, depending upon elevation (altitude) and water temperature. For other amperage ratings on additional voltages, consult motor nameplate.

PUMP PERFORMANCE

HP	Phase	Discharge Pipe Tap	Suction Pipe Tap	Capacity — U.S. Gallons Per Minute Discharge Pressure (PSI)								Suction Lift Feet	Shut Off Pressure PSI	Model Number
				20	30	40	50	60	70	80	90			
2	1	1-1/2"	2"	—	—	80	67	56	38	0	0	5	80	LP1502B

MAXIMUM CASE PRESSURE — 150 PSI

PUMP DIMENSIONS



LP1502B												
A	B	C	D	E	F	G	H	I	J	K	L	M
18.00"	3.625"	4.25"	8.50"	7.50"	9.50"	10.875"	9.50"	2.375"	4.75	2.625"	5.25"	6.00"



FOR MORE INFORMATION ABOUT OTHER INNOVATIVE PRODUCTS BY MUNRO, CALL FOR THE DISTRIBUTOR NEAREST YOU

PH: 800.942.4270 • FAX: 970.263.2277

E-MAIL: gmueller@munrocompanies.com • WEBSITE: www.munropump.com